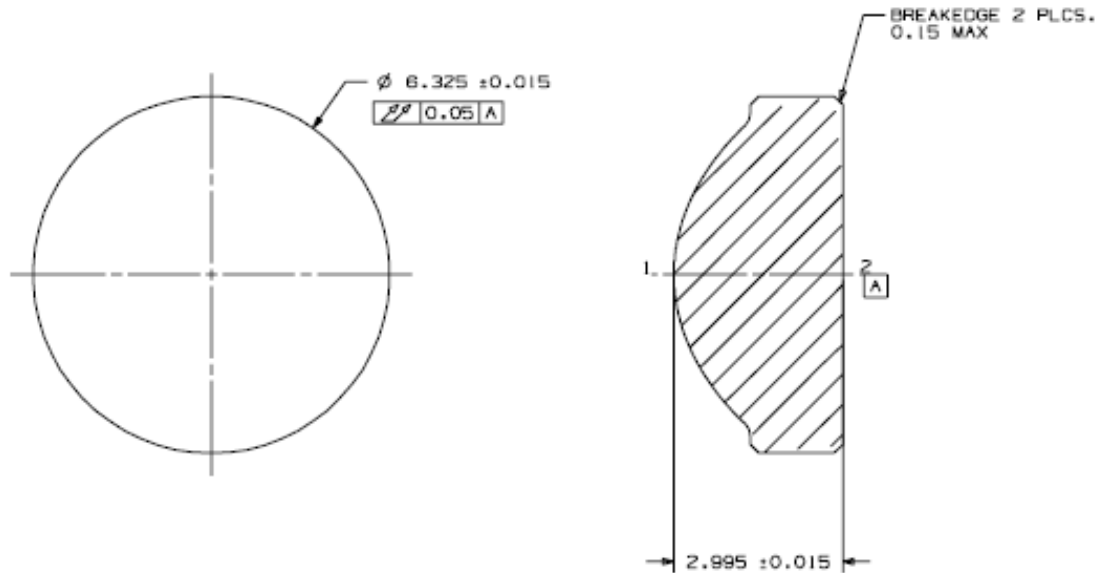


A671 COLLIMATOR LENS – GLASS



OPTICAL DESIGN SPECIFICATIONS	
Focal Length (f):	4.02mm
Numerical Aperture:	0.60
Back Focal Length:	2.39mm
Clear Aperture	S1 4.85mm S2 3.43mm
Axial Wavefront Distortion: (Single Pass)	≤0.05 Waves (RMS) at 633nm
Surface Quality:	60-40
Design Wavelength (λ):	408nm
Cover Glass Thickness:	0.25mm (Borosilicate)
Center Thickness	2.995mm
Weight:	≈ 274mg
RoHS Compliant:	YES
Standard Coating:*	MgF ₂ > 95% Transmission (400-600nm)

*Other coating options available upon request

Rochester Precision Optics – 850 John Street – W. Henrietta, NY 14586-9748

Phone: 585-292-5450 Fax: 585-292-5459 E-Mail: sales@rpooptics.com

www.rpooptics.com

Rev. 3, 02/12/2007