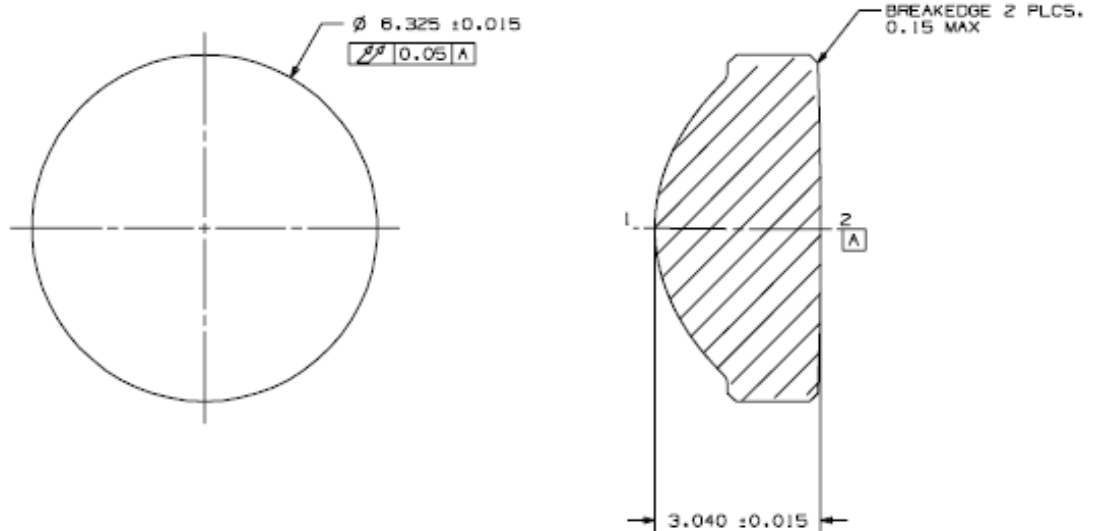


A610 COLLIMATOR LENS – GLASS



OPTICAL DESIGN SPECIFICATIONS

Focal Length (f):	4.00 mm
Numerical Aperture:	0.60
Back Focal Length:	2.73 mm
Clear Aperture	S1 4.80mm S2 3.43mm
Axial Wavefront Distortion: (Single Pass)	≤ 0.05 Waves (RMS) at 632.8 nm
Surface Quality:	60-40
Design Wavelength (λ):	408 nm
Cover Glass Thickness:	1.20 mm (K-3)
Center Thickness	3.040 mm
Weight:	≈ 277 mg
RoHS Compliant:	YES
Standard Coating:*	MgF ₂ > 95% Transmission (400-600nm)

*Other coating options available upon request

Rochester Precision Optics – 850 John Street – W. Henrietta, NY 14586-9748

Phone: 585-292-5450 Fax: 585-292-5459 E-Mail: sales@rpoptics.com

www.rpoptics.com

Rev. 3, 02/12/2007