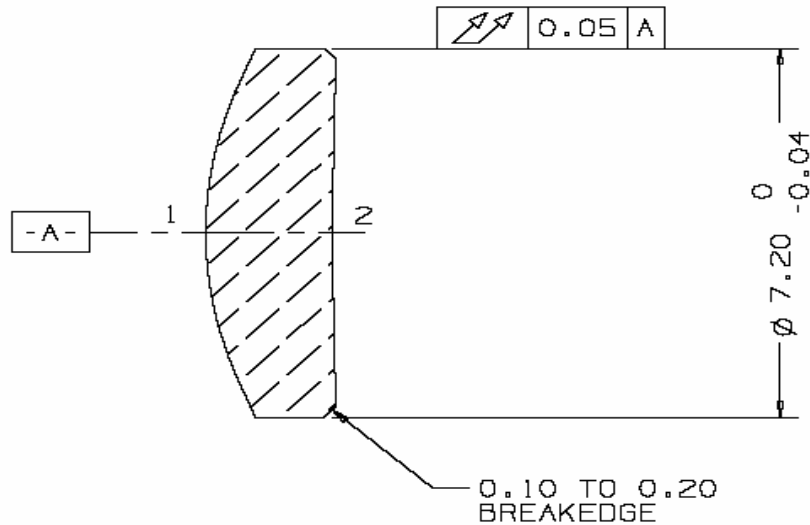


A397 COLLIMATOR LENS – GLASS



OPTICAL DESIGN SPECIFICATIONS	
Focal Length (f):	11.00 mm
Numerical Aperture:	0.30
Back Focal Length:	9.64 mm
Clear Aperture	S1 6.59 mm S2 6.05 mm
Axial Wavefront Distortion: (Single Pass)	≤0.10 Waves (RMS) at 632.8 nm
Surface Quality:	60-40
Design Wavelength (λ):	670 nm
Cover Glass Thickness:	0.275 mm (BK-7)
Center Thickness	2.200 mm
Weight:	≈ 290 mg
RoHS Compliant:	YES
Standard Coating:*	MgF ₂ > 95% Transmission (650-810nm)

*Other coating options available upon request