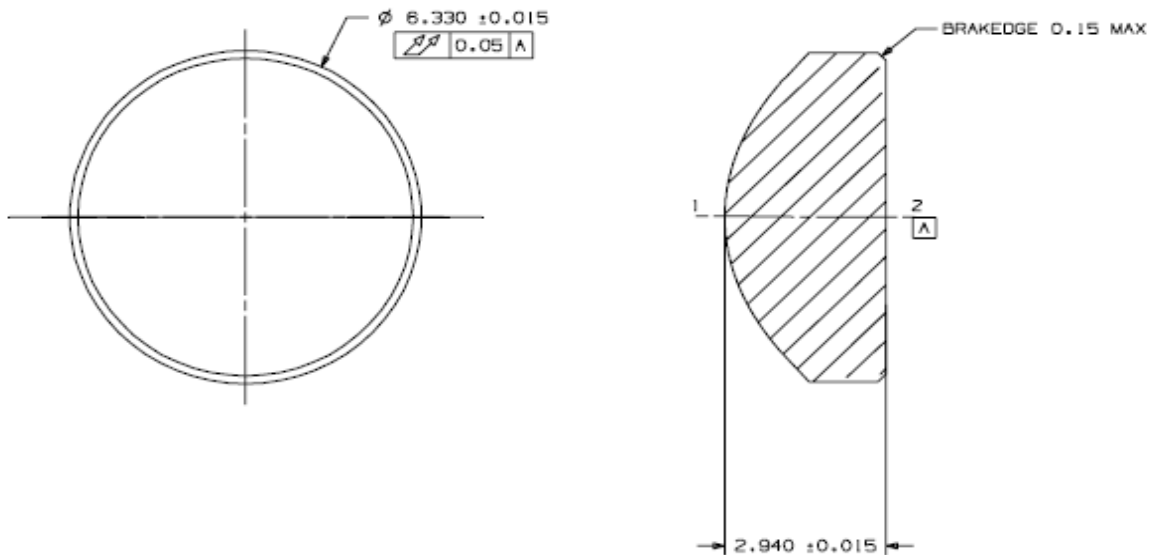


## A230 COLLIMATOR LENS – GLASS



OPTICAL DESIGN SPECIFICATIONS	
Focal Length (f):	4.51 mm
Numerical Aperture:	0.55
Back Focal Length:	2.91 mm
Clear Aperture	S1 4.95mm S2 3.66mm
Axial Wavefront Distortion: (Single Pass)	≤0.10 Waves (RMS) at 632.8 nm
Surface Quality:	60-40
Design Wavelength (λ):	780 nm
Cover Glass Thickness:	0.25 mm (BK-7)
Center Thickness	2.940 mm
Weight:	≈ 225 mg
RoHS Compliant:	YES
Standard Coating:*	MgF <sub>2</sub> > 95% Transmission (650-810nm)

\*Other coating options available upon request

Rochester Precision Optics – 850 John Street – W. Henrietta, NY 14586-9748  
 Phone: 585-292-5450 Fax: 585-292-5459 E-Mail: [sales@rpoptics.com](mailto:sales@rpoptics.com)

[www.rpoptics.com](http://www.rpoptics.com)

Rev. 4, 02/12/2007