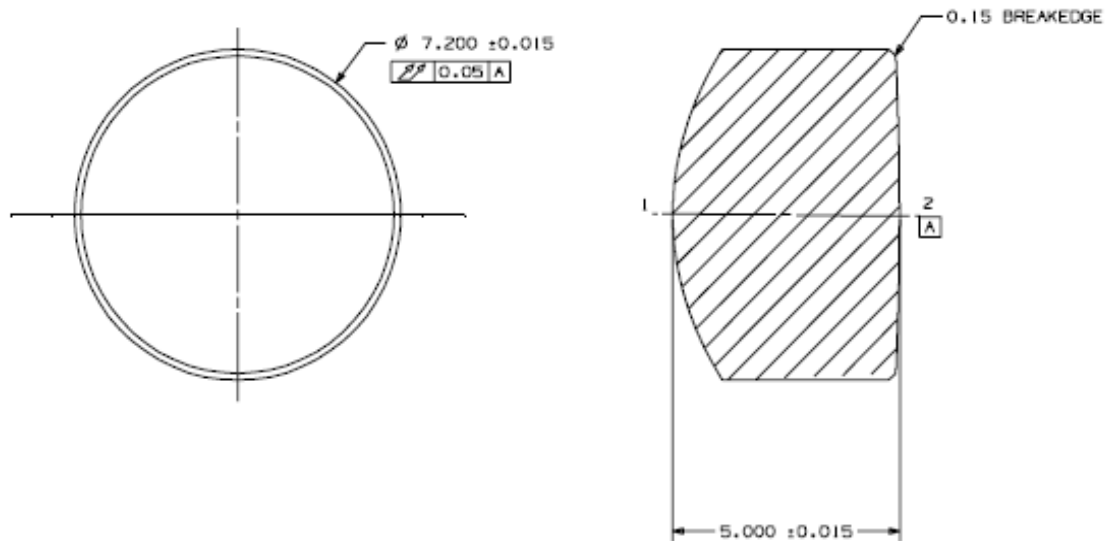


A220 COLLIMATOR LENS – GLASS



OPTICAL DESIGN SPECIFICATIONS	
Focal Length (f):	11.00 mm
Numerical Aperture:	0.26
Back Focal Length:	7.97 mm
Clear Aperture	S1 5.50mm S2 4.14mm
Axial Wavefront Distortion: (Single Pass)	≤ 0.10 Waves (RMS) at 632.8 nm
Surface Quality:	60-40
Design Wavelength (λ):	633 nm
Cover Glass Thickness:	0.275 mm (BK-7)
Center Thickness	5.000 mm
Weight:	≈ 448 mg
RoHS Compliant:	YES
Standard Coating:*	MgF ₂ > 95% Transmission (650-810nm)

*Other coating options available upon request

Rochester Precision Optics – 850 John Street – W. Henrietta, NY 14586-9748

Phone: 585-292-5450 Fax: 585-292-5459 E-Mail: sales@rpoptics.com

www.rpoptics.com

Rev. 3, 02/12/2007