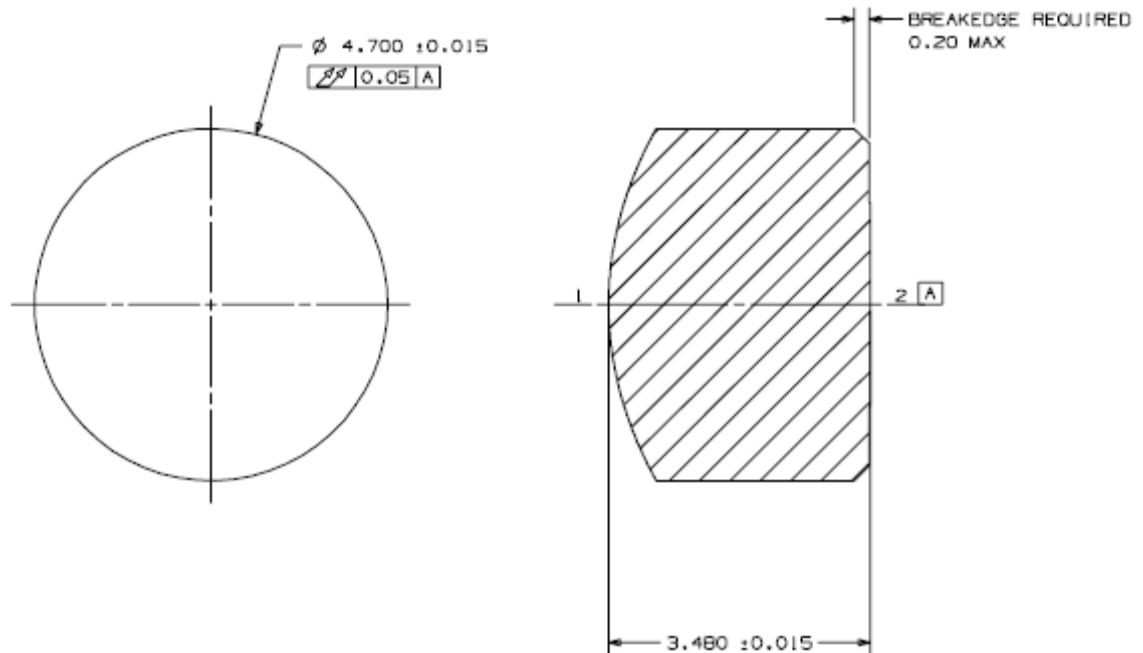


## A170 COLLIMATOR LENS – GLASS



OPTICAL DESIGN SPECIFICATIONS	
Focal Length (f):	6.16 mm
Numerical Aperture:	0.30
Back Focal Length:	4.25 mm
Clear Aperture:	S1 3.70mm S2 2.57mm
Axial Wavefront Distortion: (Single Pass)	$\leq 0.10$ Waves (RMS) at 632.8 nm
Surface Quality:	60-40
Design Wavelength ( $\lambda$ ):	780 nm
Cover Glass Thickness:	0.275 mm (BK-7)
Center Thickness	3.480 mm
Weight:	$\approx 221$ mg
RoHS Compliant:	YES
Standard Coating*	MgF <sub>2</sub> > 95% Transmission (650-810nm)

\*Other coating options available upon request

Rochester Precision Optics – 850 John Street – W. Henrietta, NY 14586-9748

Phone: 585-292-5450 Fax: 585-292-5459 E-Mail: [sales@rpoptics.com](mailto:sales@rpoptics.com)

[www.rpoptics.com](http://www.rpoptics.com)

Rev. 4, 02/12/2007