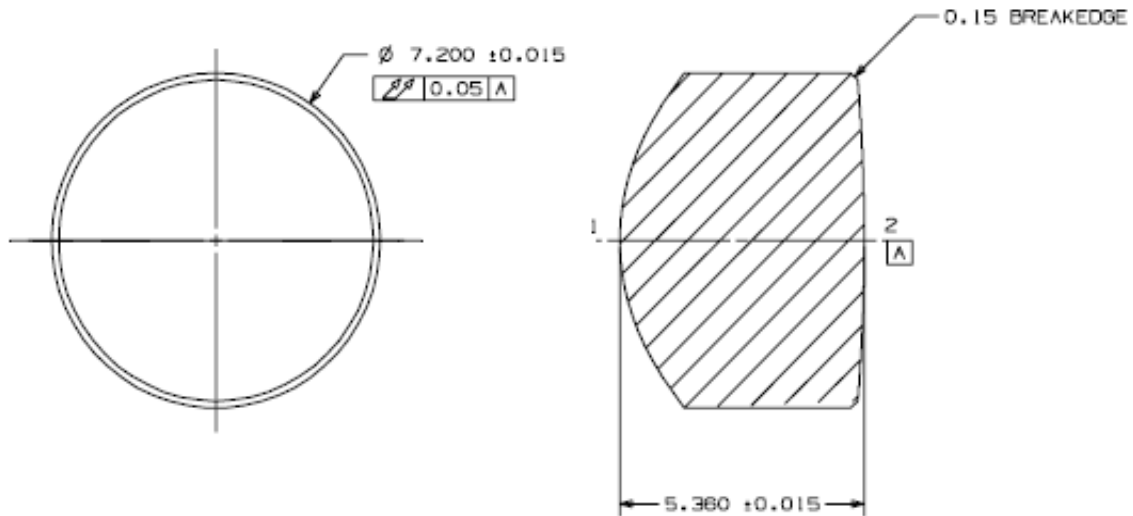


A110 COLLIMATOR LENS – GLASS



OPTICAL DESIGN SPECIFICATIONS

Focal Length (f):	6.24mm
Numerical Aperture:	0.40
Back Focal Length:	3.394mm
Clear Aperture:	S1 5.00mm S2 2.92mm
Axial Wavefront Distortion: (Single Pass)	≤0.10 Waves (RMS) at 632.8nm
Surface Quality:	60-40
Design Wavelength (λ):	780nm
Cover Glass Thickness:	0.275mm (BK-7)
Center Thickness	5.36mm
Weight:	≈ 756mg
ROHS Compliant:	YES
Standard Coating*	MgF2 ≈ 95% Transmission (650-810nm)

* Other coating ranges available upon request.

Rochester Precision Optics – 850 John Street – W. Henrietta, NY 14586-9748

Phone: 585-292-5450 Fax: 585-292-5459 E-Mail: sales@rpoptics.com

www.rpoptics.com

Rev. 3 02/12/07